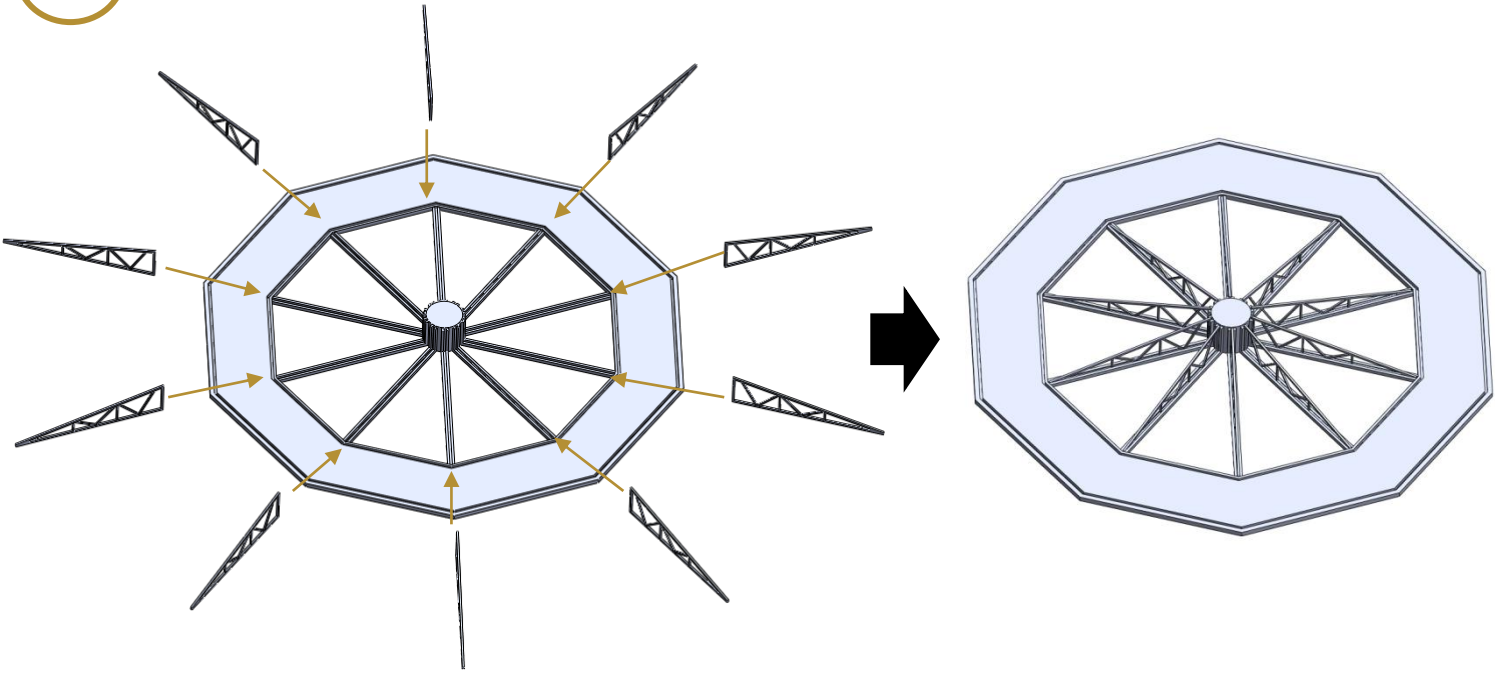
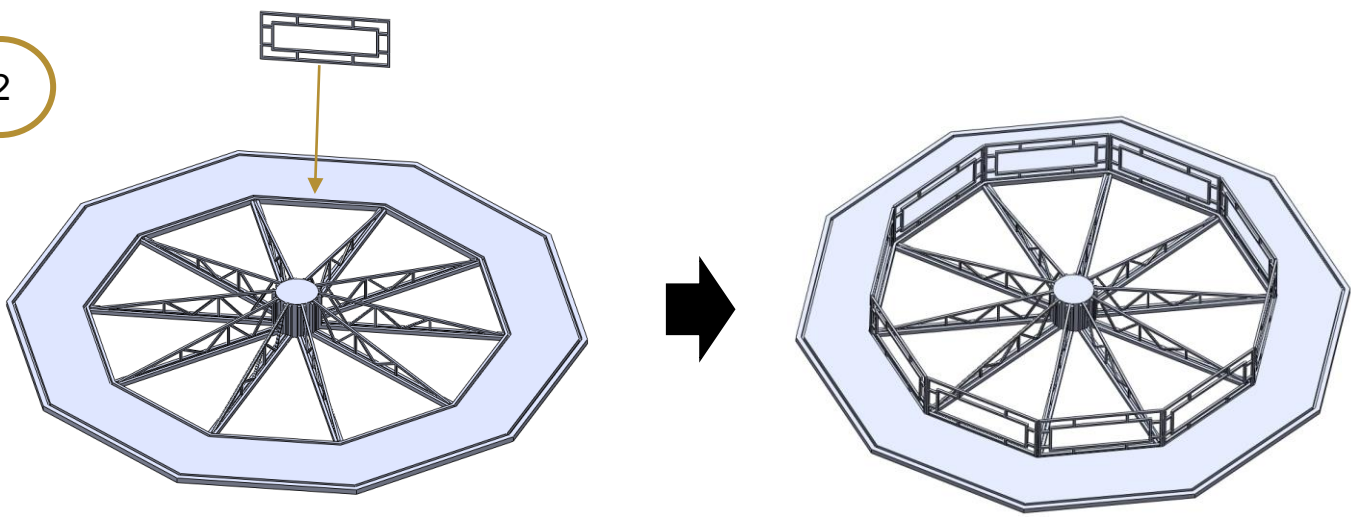


1

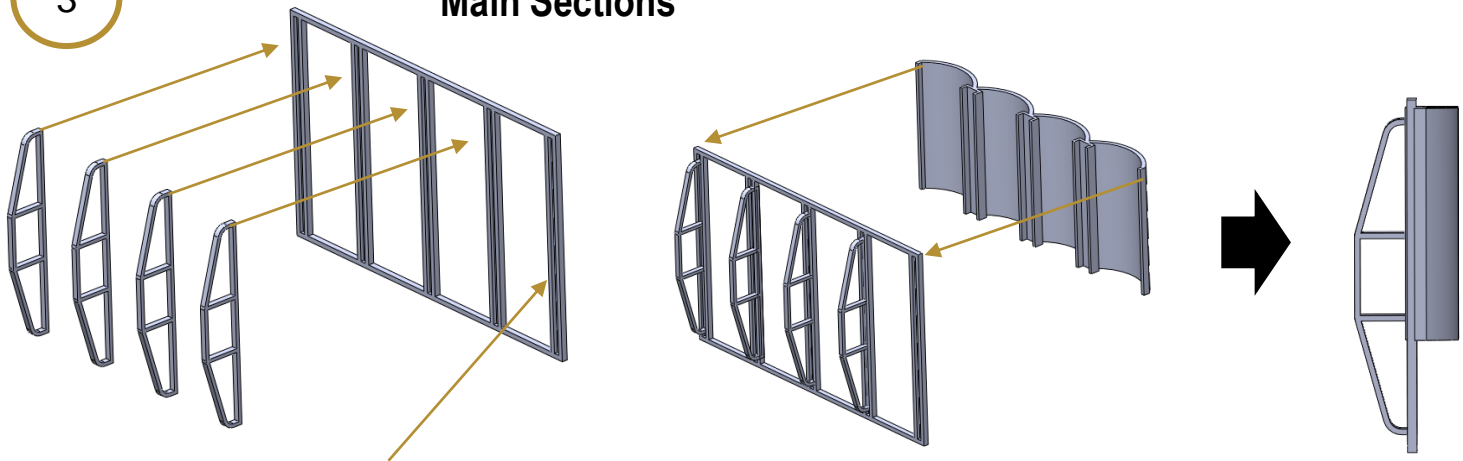


2



3

Main Sections

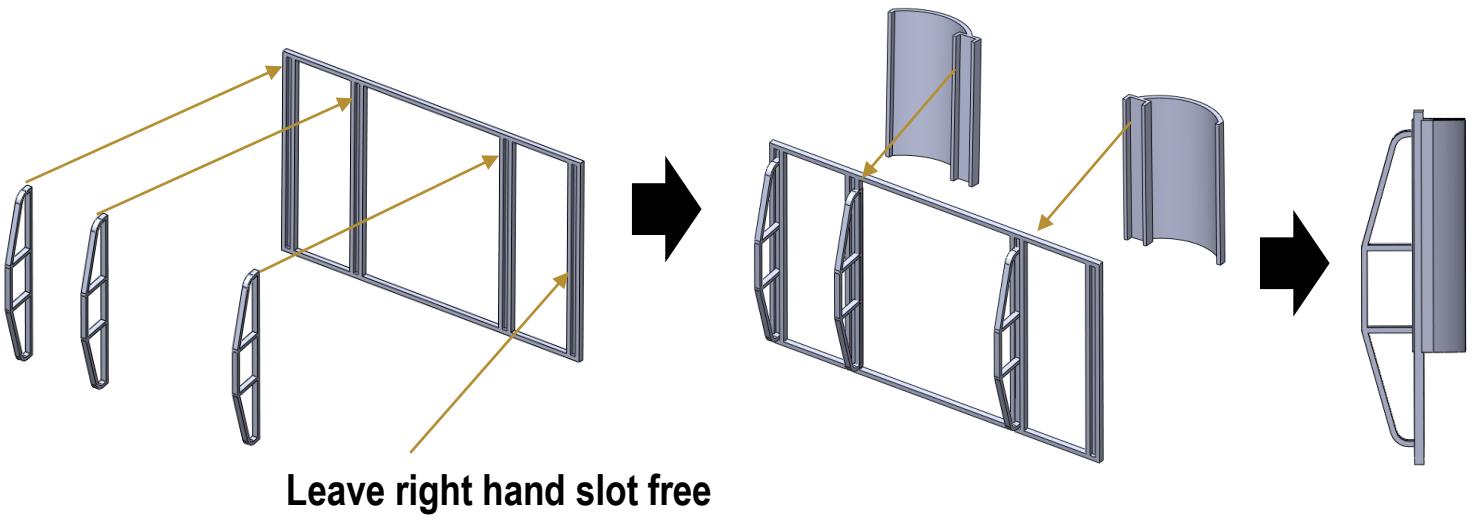


Leave right hand slot free

X8

4

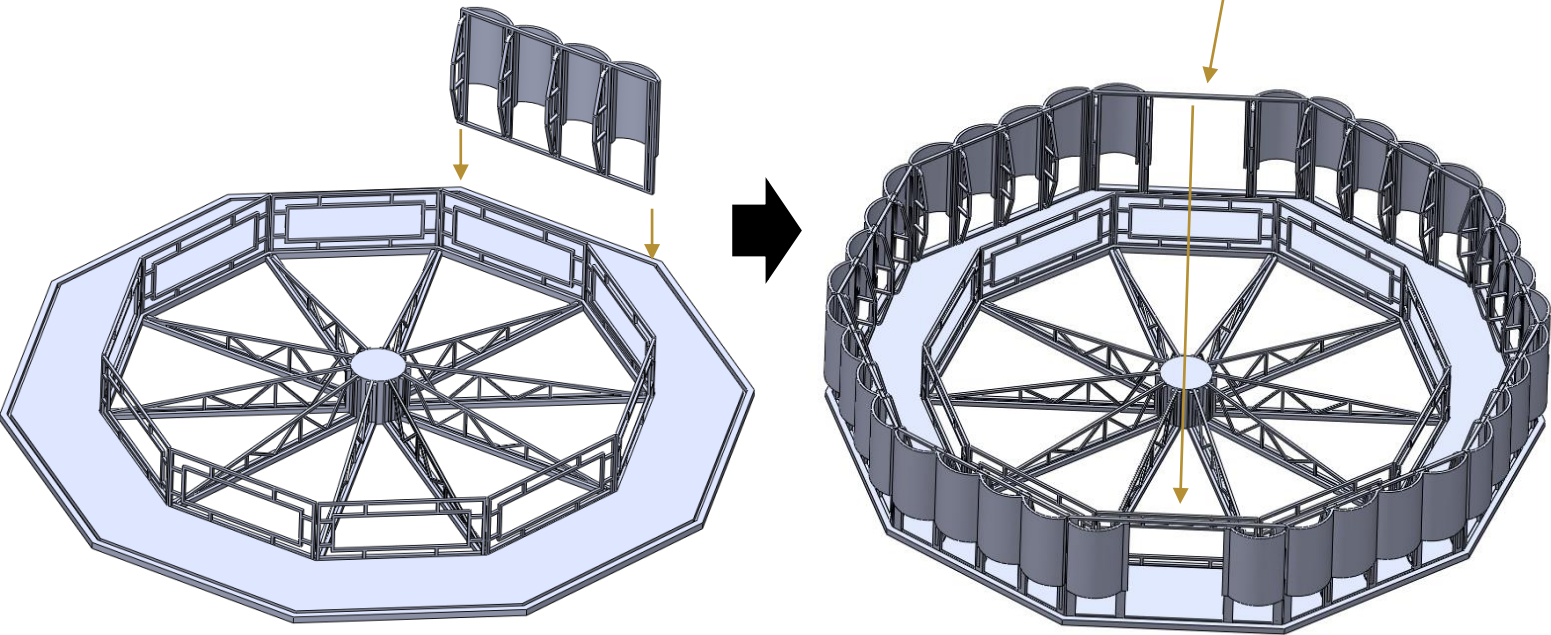
Entrance/Exit Sections



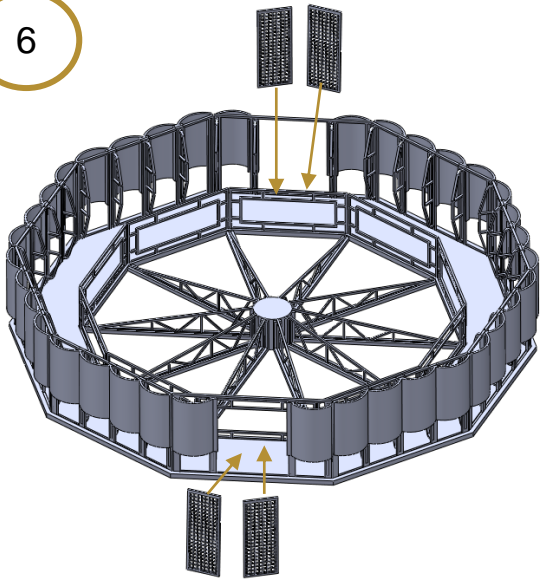
5

X2

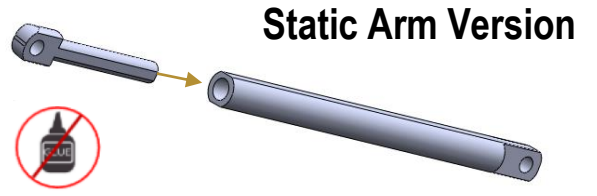
Position Entrance and Exit sections opposite each other



6



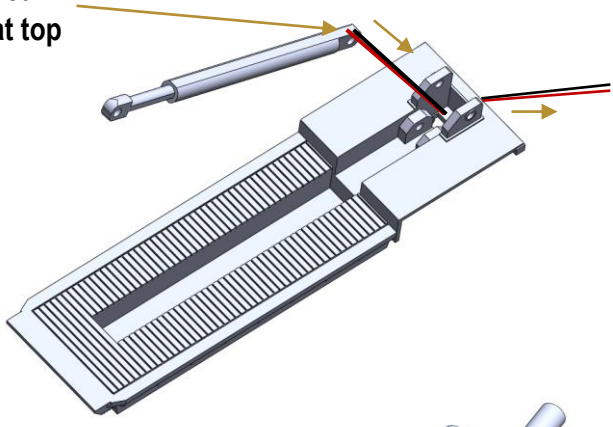
7



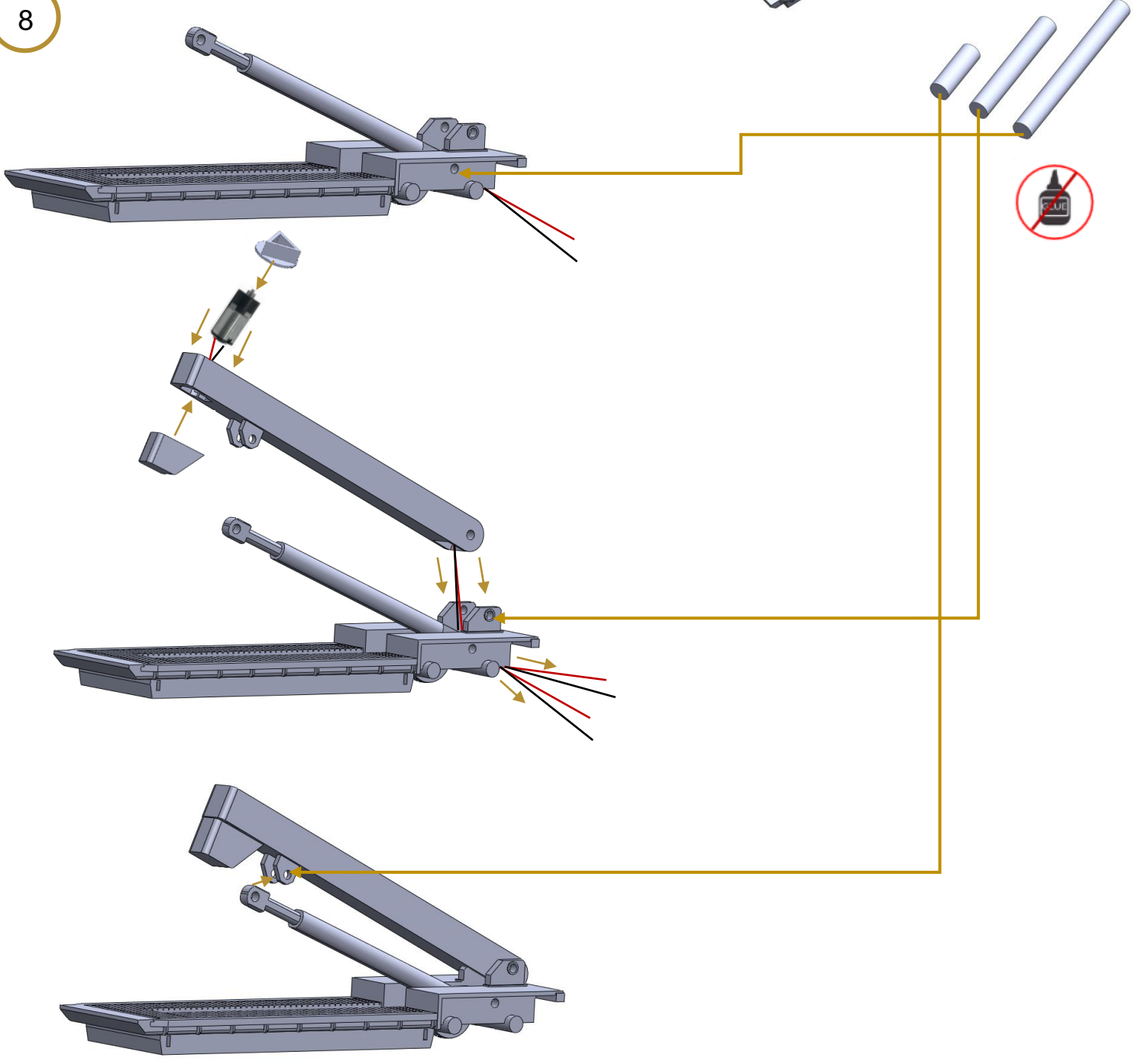
Static Arm Version

Insert into bracket with ram wires at top

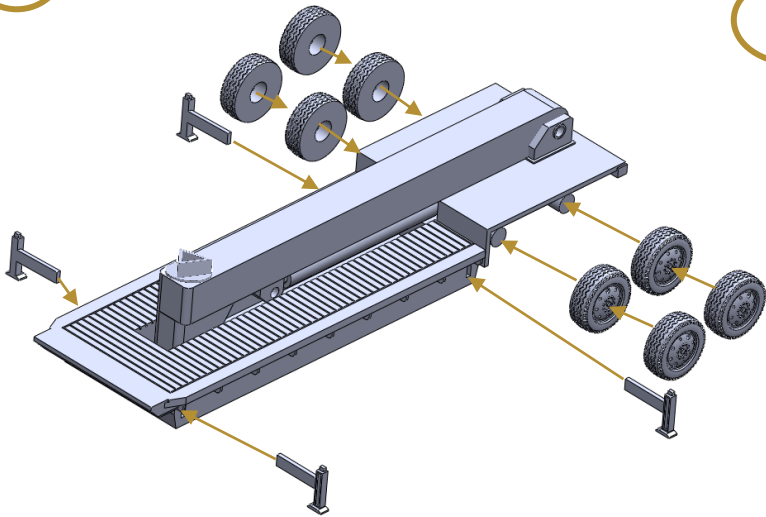
Mechanical Version



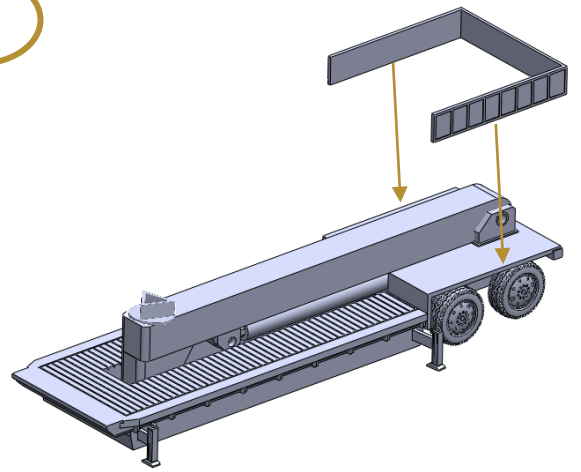
8



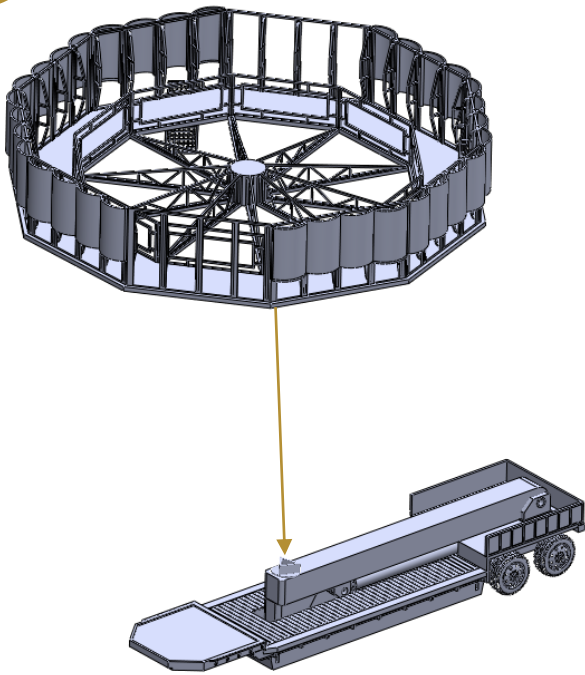
9



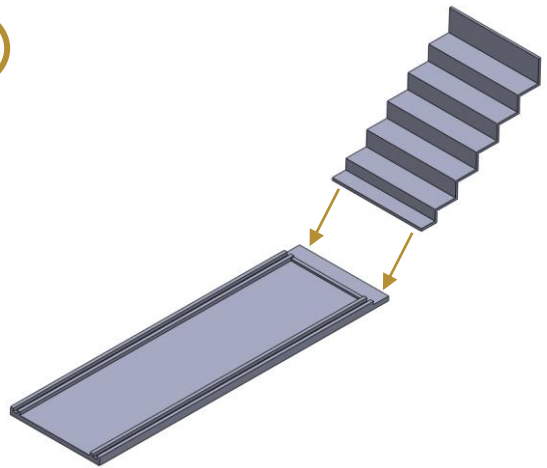
10



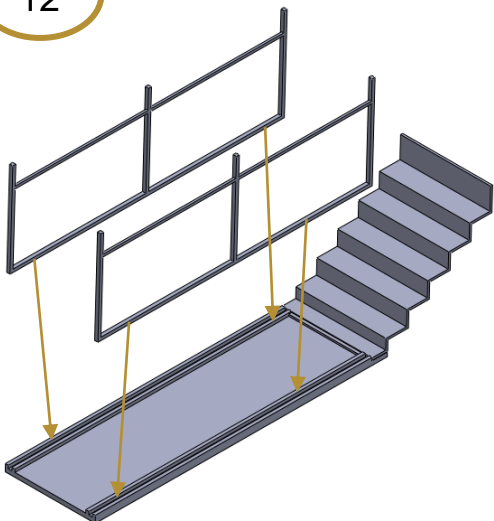
11



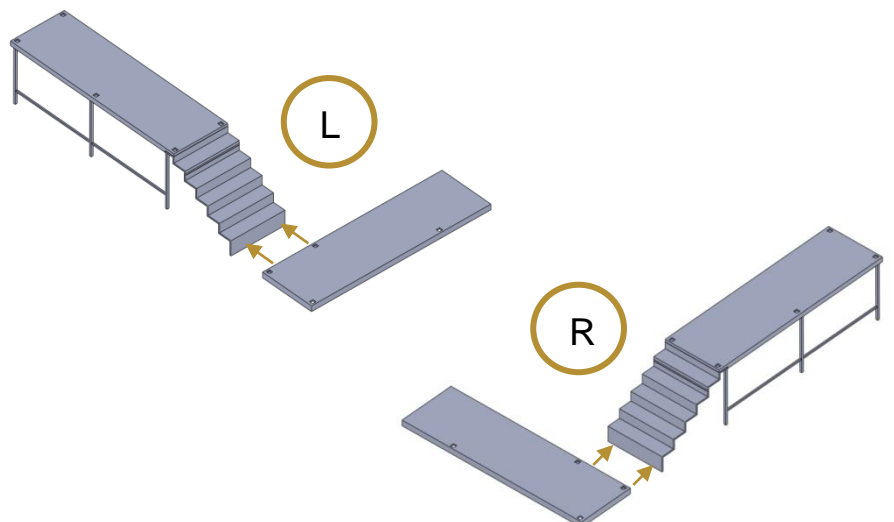
12



12

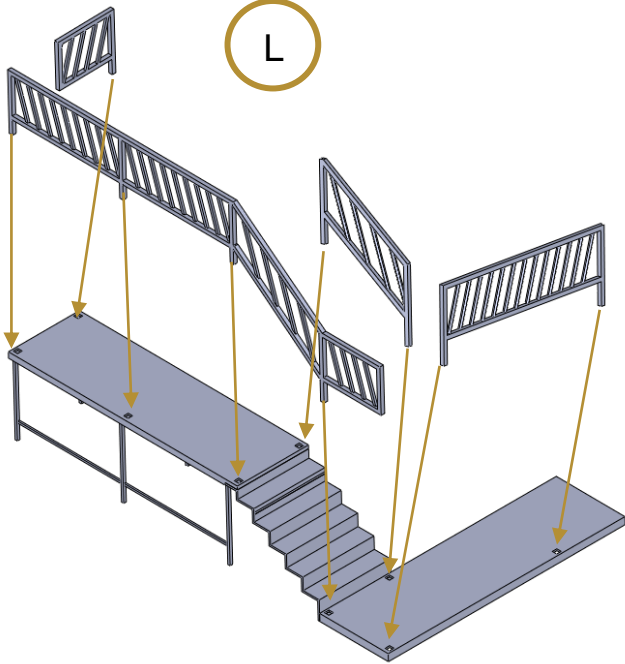


13

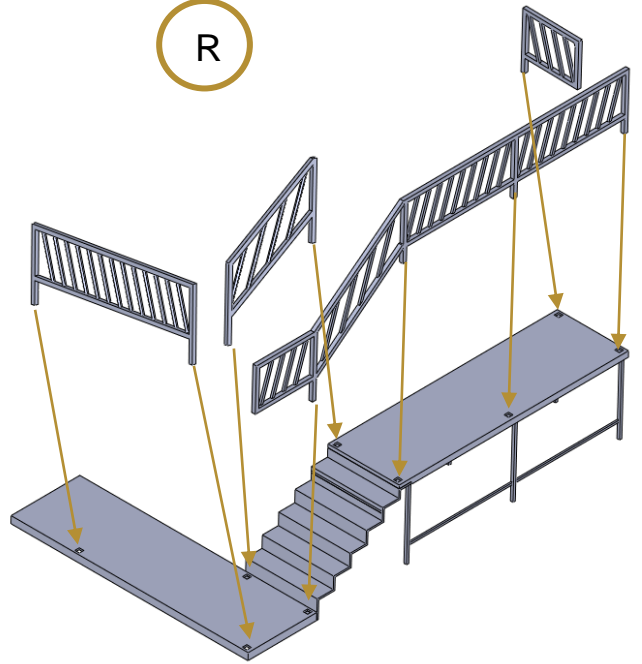


14

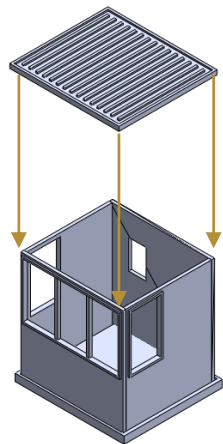
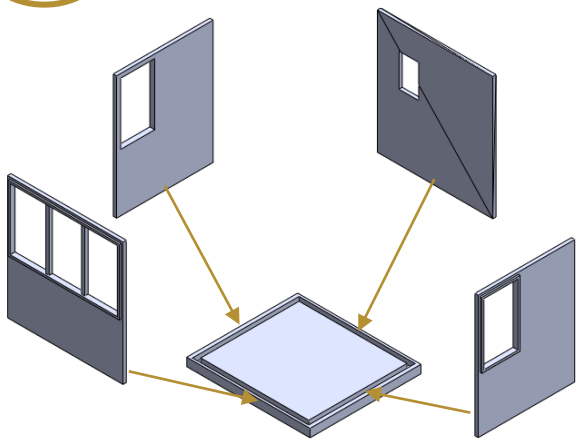
L

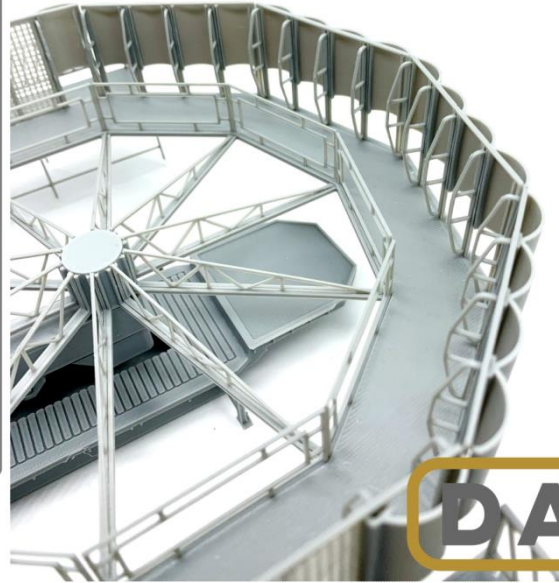
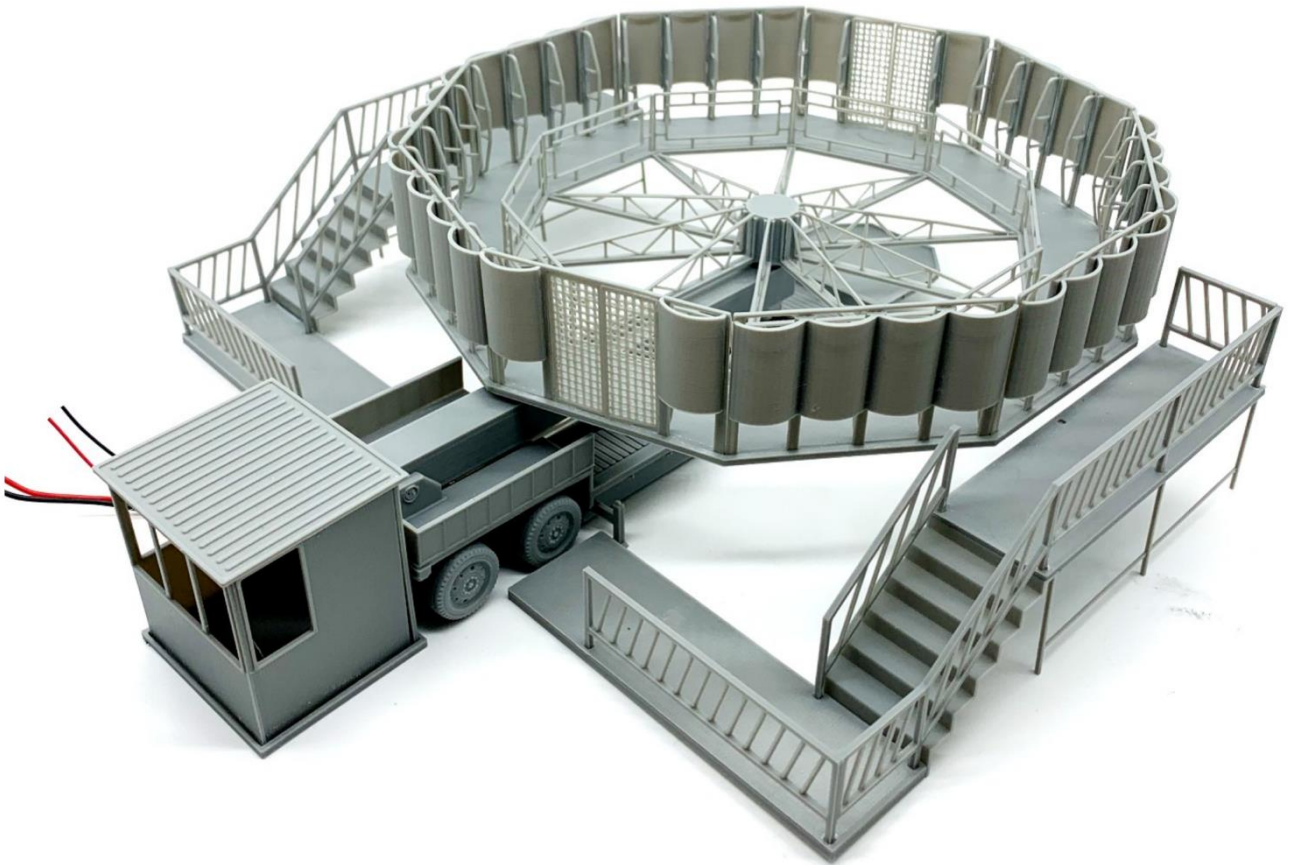


R



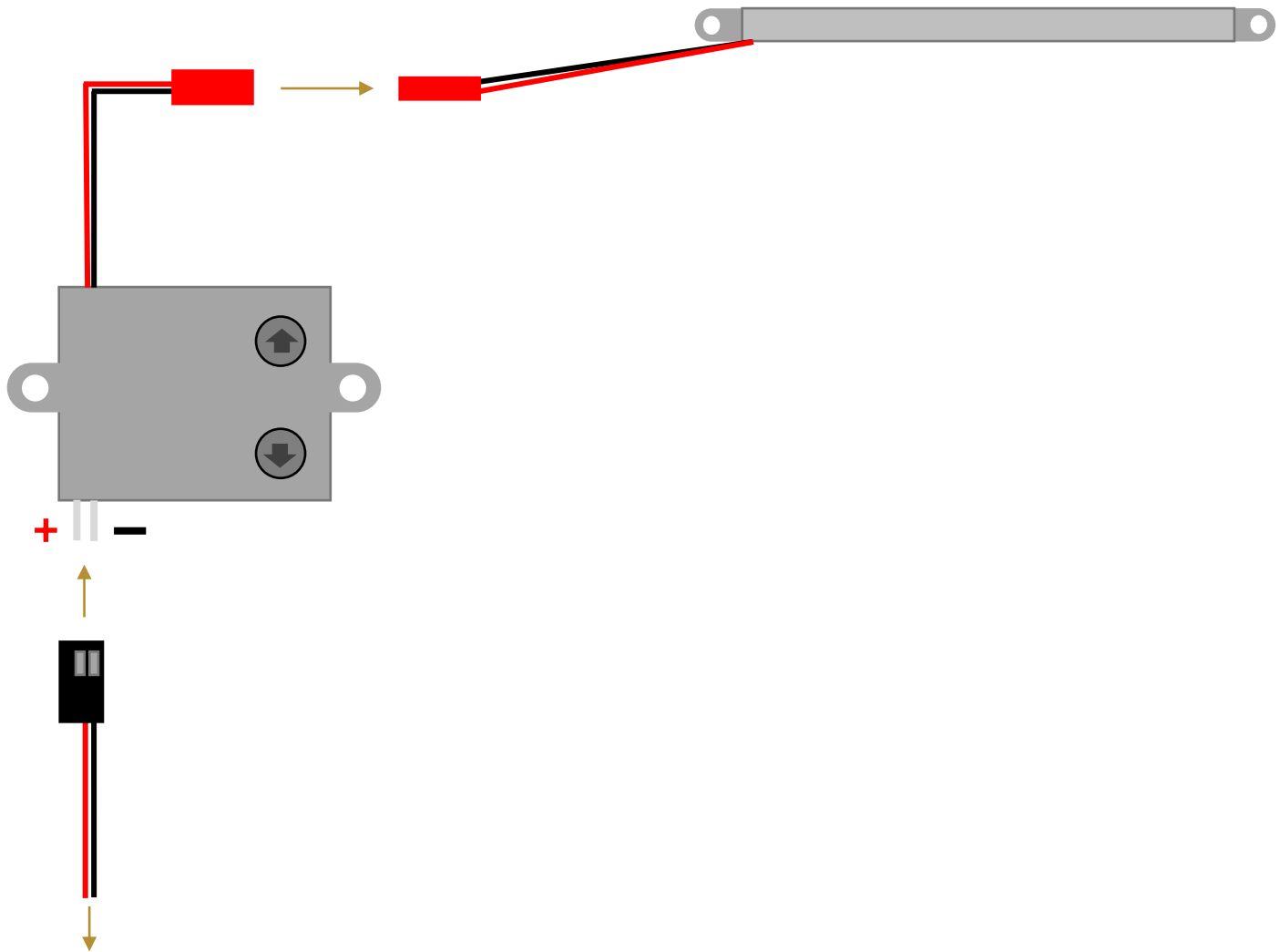
15





DAPR

Mechanical Arm Wiring/ Connection Diagram



To Power Supply (6v)

(Can be connected to power terminals of speed controllers sold separately)