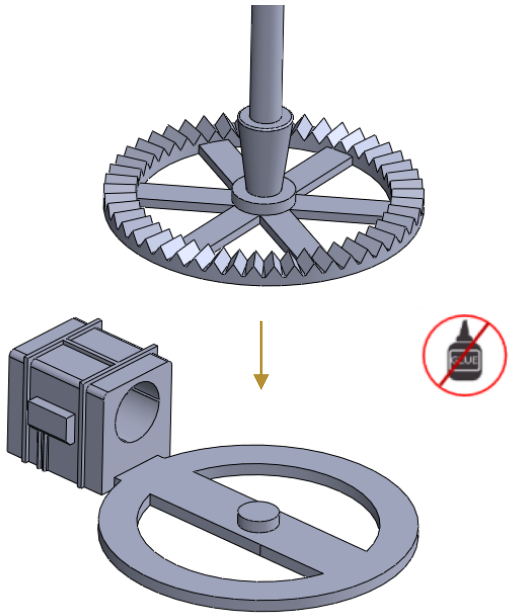




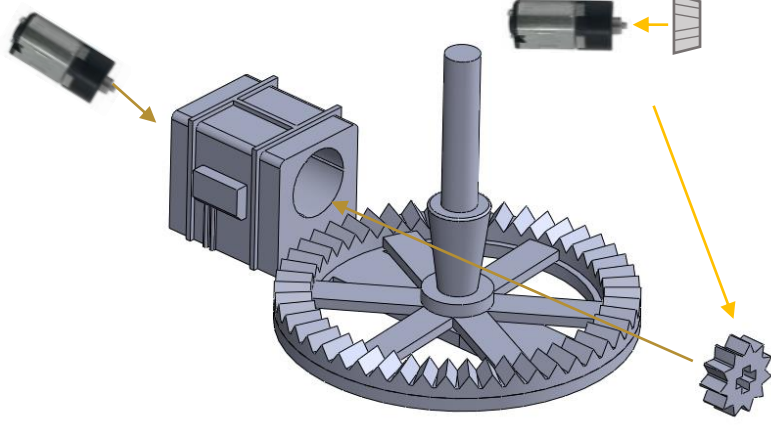
Several stages in this kit don't require glue; look for icon at each step.



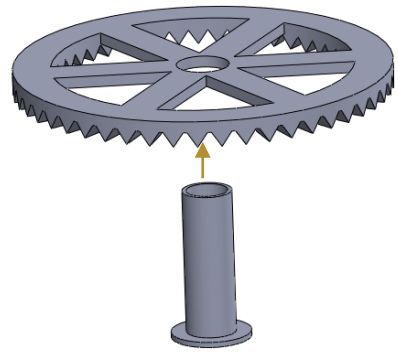
1



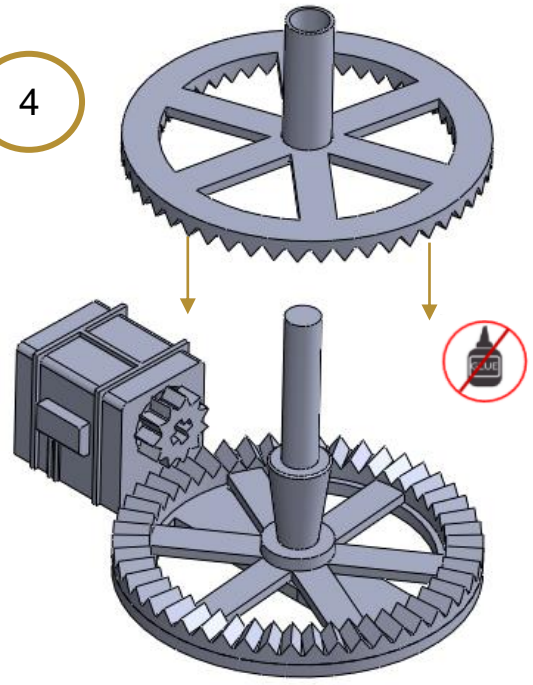
2



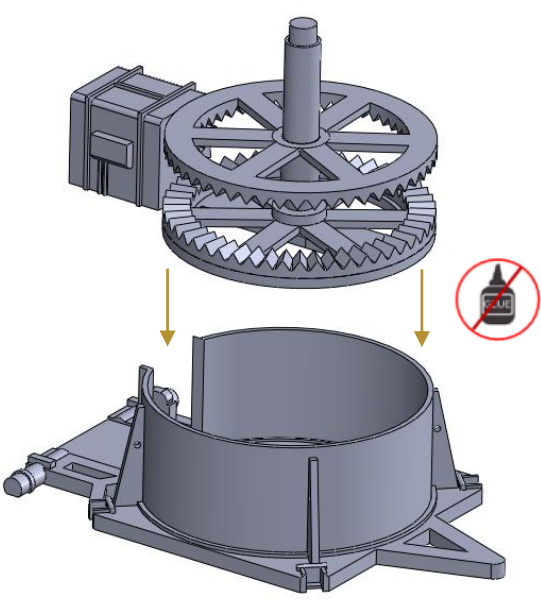
3



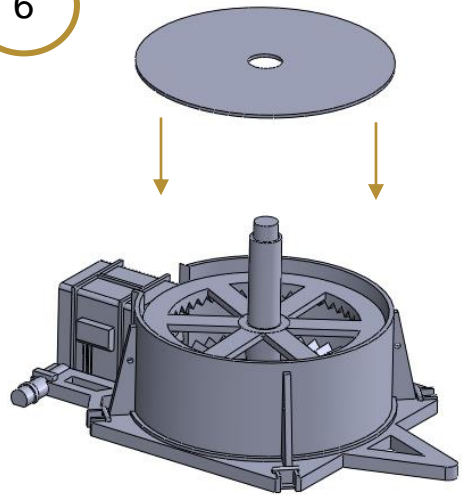
4



5

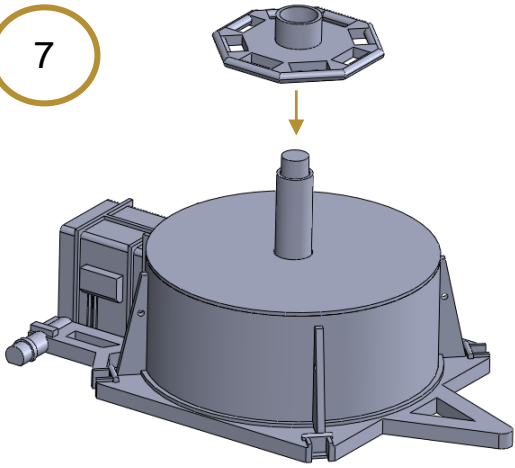


6

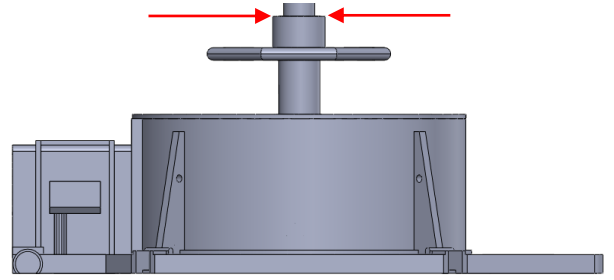


Test run mechanism before securing lid

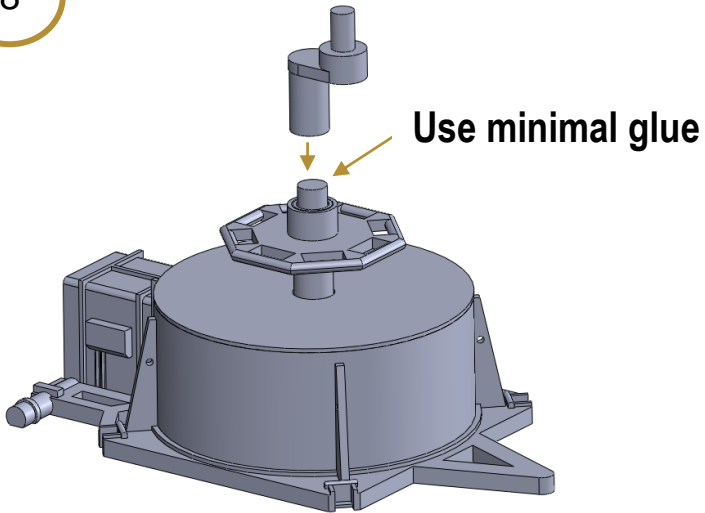
7



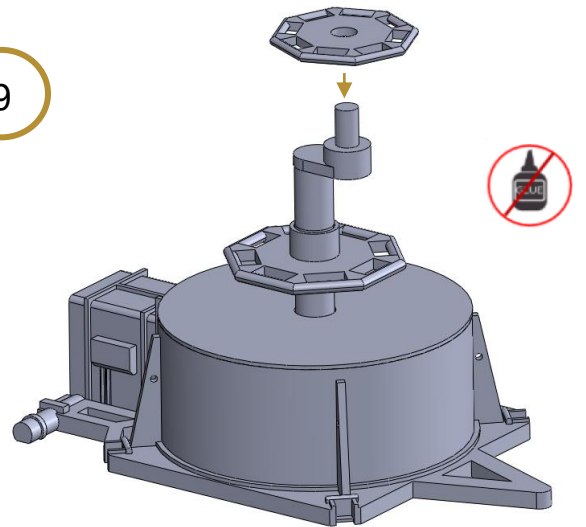
Ensure piece is no higher than lower sleeve



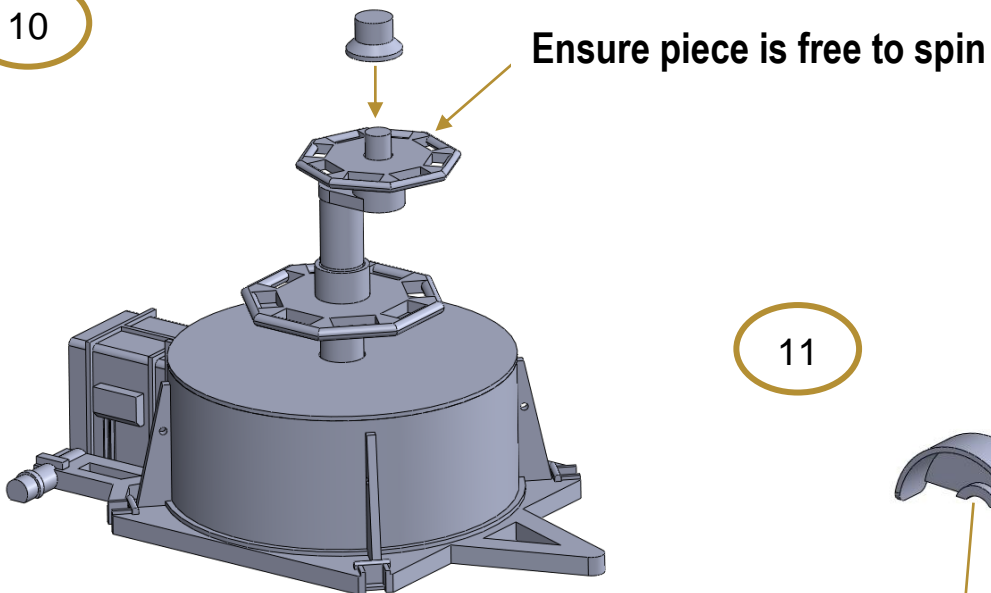
8



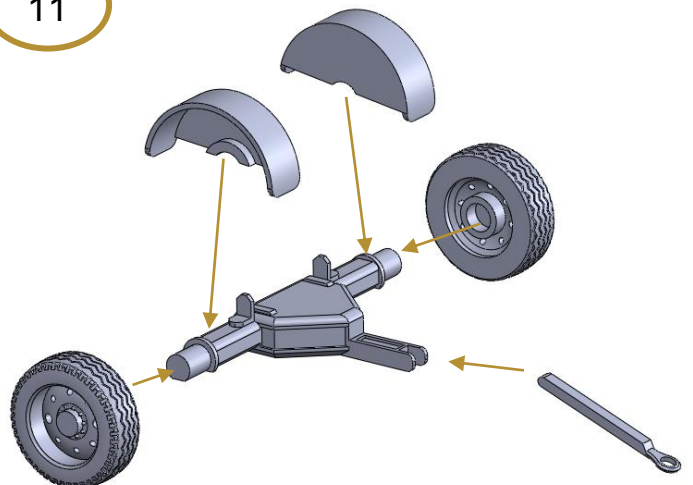
9



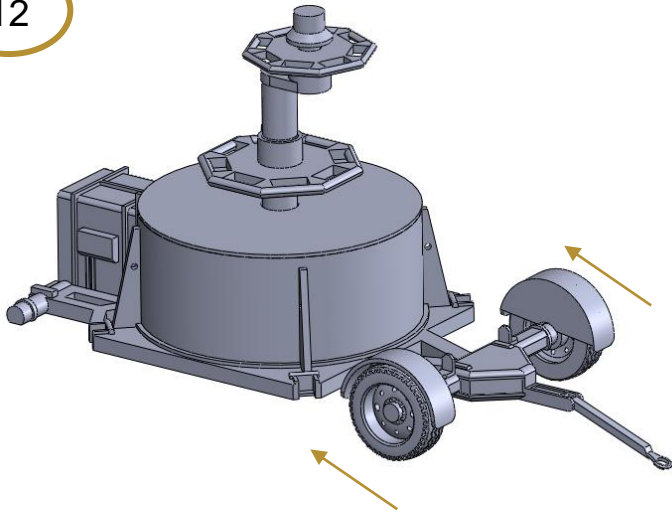
10



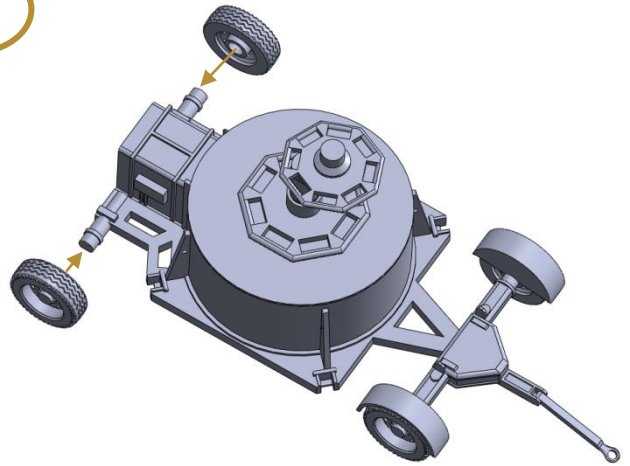
11



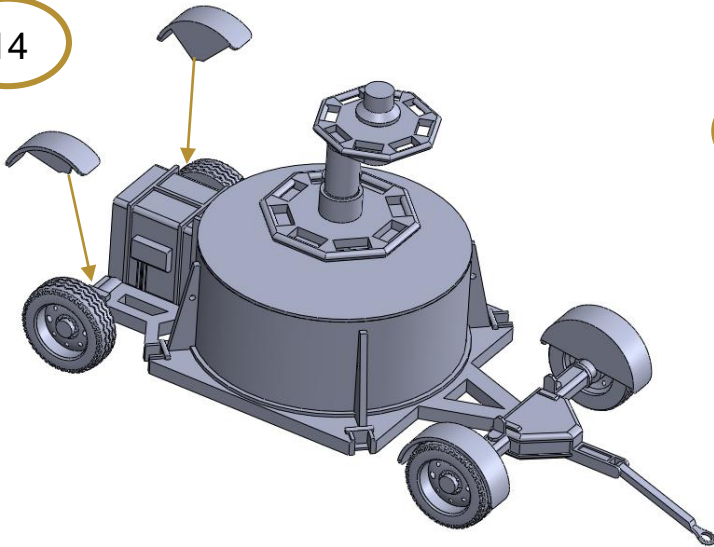
12



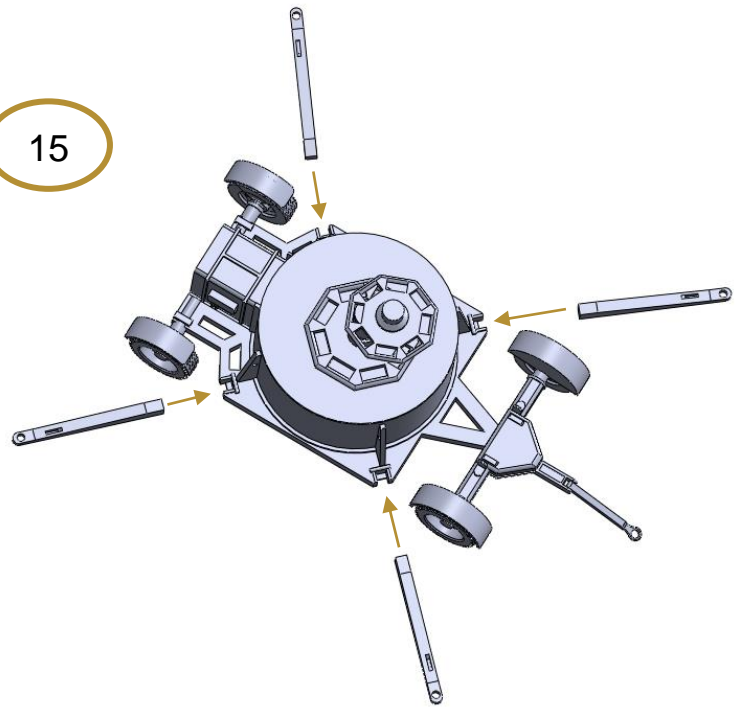
13



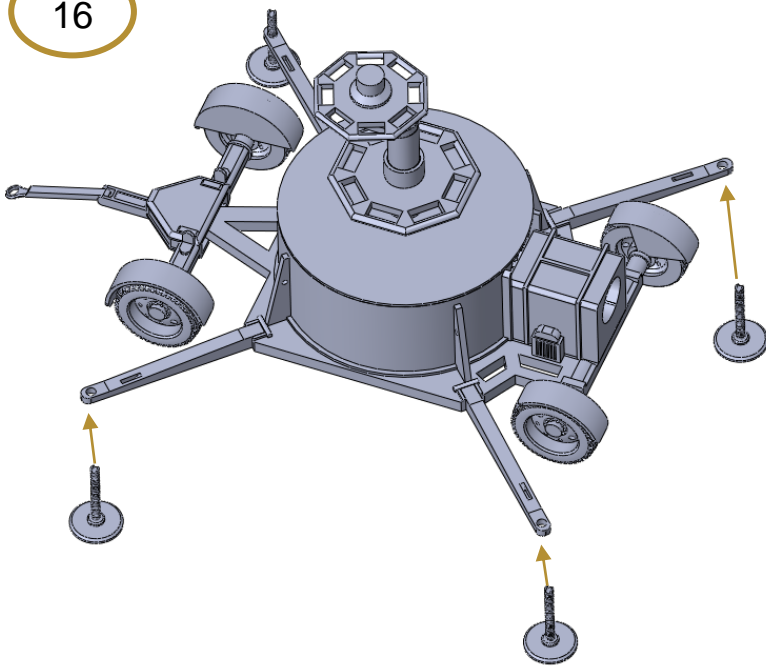
14



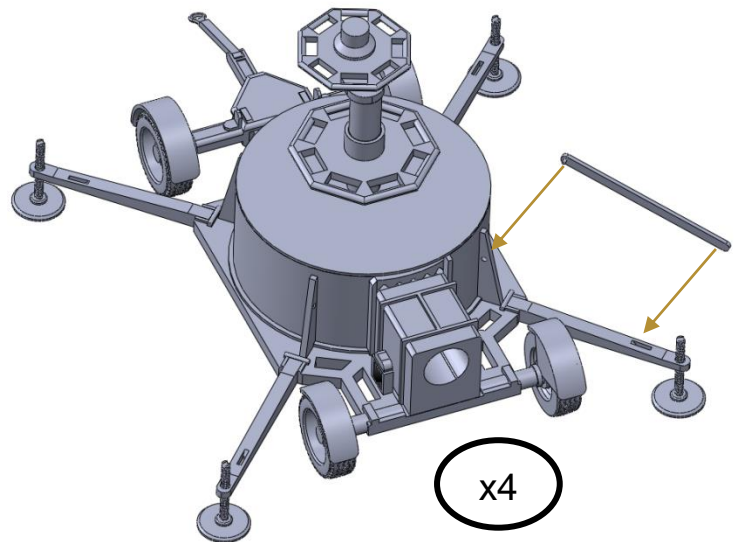
15



16

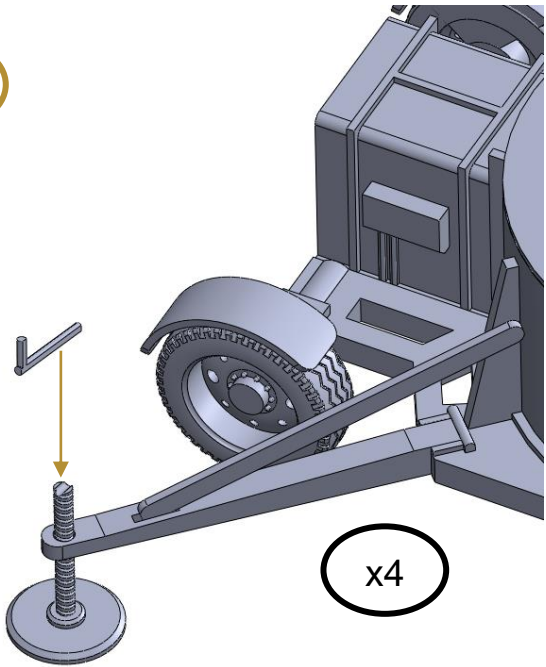


17



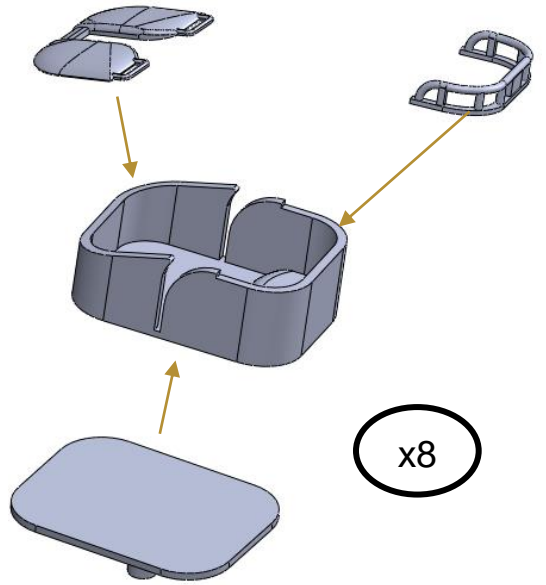
x4

18



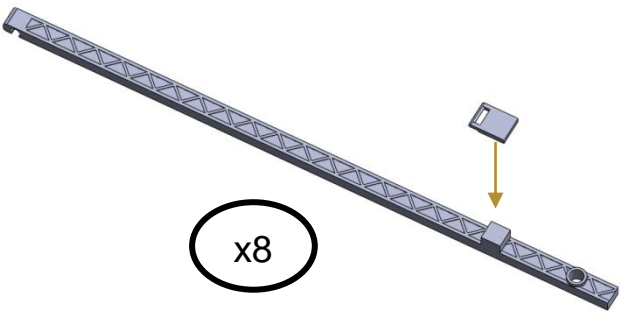
x4

19



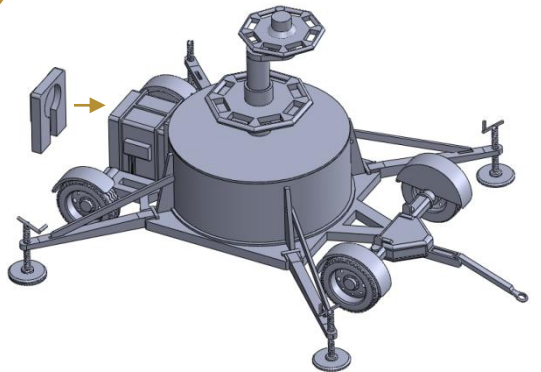
x8

20

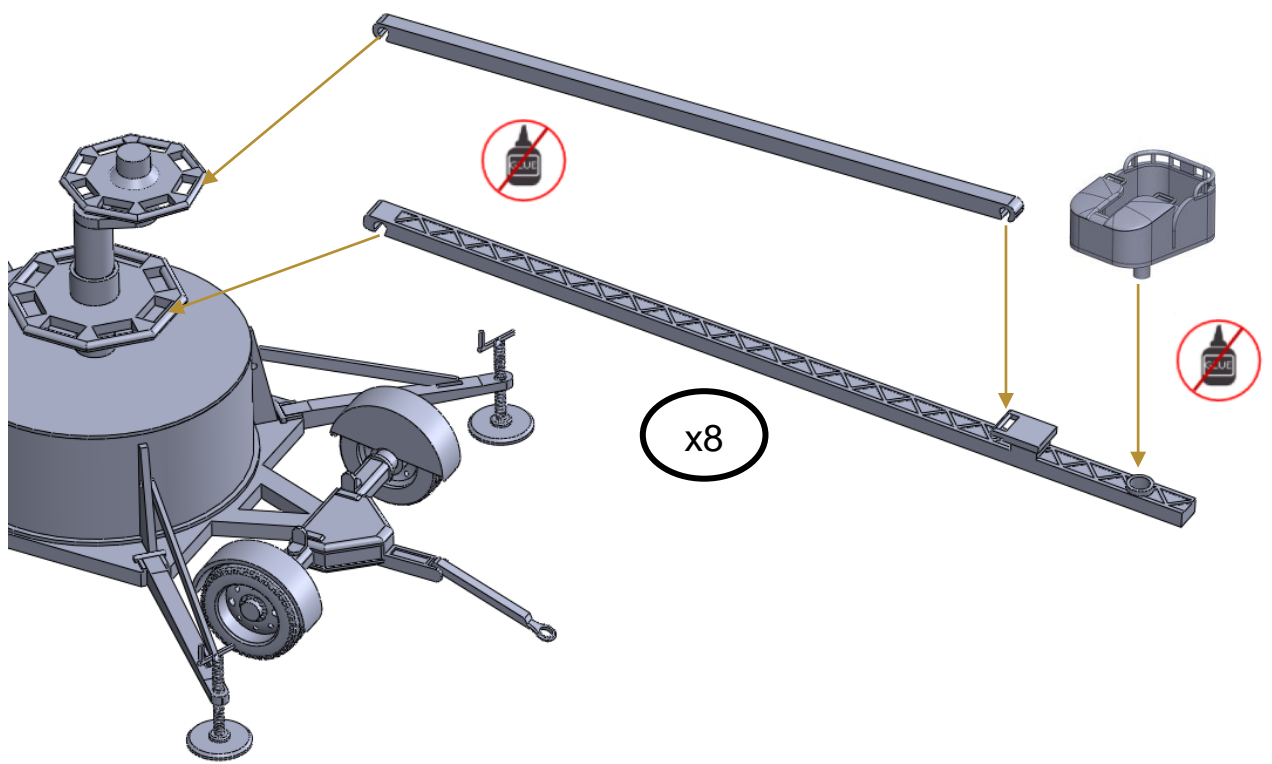


x8

21



22



x8

